

Float-11A Standard Float Level Indicator



Float Level Indicator

Float-11 series are based on Archimedes Buoyancy Principle. Float rises and falls as the fluid level in a vessel changes. Due to magnetic effect, as the float moves, the proximal reed switches in the chamber are magnetized by the permanent magnet in the float and change the status from “open” to “closed”. The resistance value in the sensor changes linearly. The change of resistance value is then converted into 4 ~ 20mA standard DC output signal for remote detection and control. Float-11series can be made of different materials for fluids with different chemical properties. We also offer different floats for fluids with different density to reach the optimal measurement accuracy.

In Float-11 series products, high quality plastic reed switches are used. We emphasize manufacturing details and have also introduced full production process management and quality inspection to ensure our products reach super high reliability. In comparison with other similar products in the market, Jiwei Float-11 Level Indicator has the following advantages:

- Purchased high quality plastic reed switches from international market as its key parts, longer service life.
- LED display with high brightness, can be configured in horizontal or upright, convenient for observation under different conditions on site.
- Explosion proof certified for both Flameproof Enclosure (Ex d IIC T6) and Intrinsic Safety (Ex ia IIC T6).
- Unique sealing techniques, ingress protection rating reaches IP66/IP67.
- Material for wetted part can be selected from 304, 316L, and coating material ECTFE/PTFE.



Float-11 series has two models for various liquids with different chemical properties:

Float-11A Standard: made of 304 or 316L stainless steel, suitable for most of liquids.

Float-11P Coated: With ECTFE/PTFE coating for strong corrosive liquids level measurement.

Float-11A Standard Float Level Indicator

Overview

Float-11A Standard Float Level Indicator is made of 304 or 316L stainless steel, suitable for most of liquids' level measurement. Full production process management and quality inspection are introduced to ensure our products have high reliability.

Features

- Purchased high quality plastic reed switches from international market as its key parts, longer service life.
- LED display with high brightness, can be configured in horizontal or upright, convenient for observation under different conditions on site.
- Explosion proof certified for both Flameproof Enclosure (Ex d IIC T6) and Intrinsic Safety (Ex ia IIC T6).
- Unique sealing techniques, ingress protection rating reaches to IP66/IP67.
- Made of 304 or 316L stainless steel, suitable for most of liquids' level measurement.



Typical applications

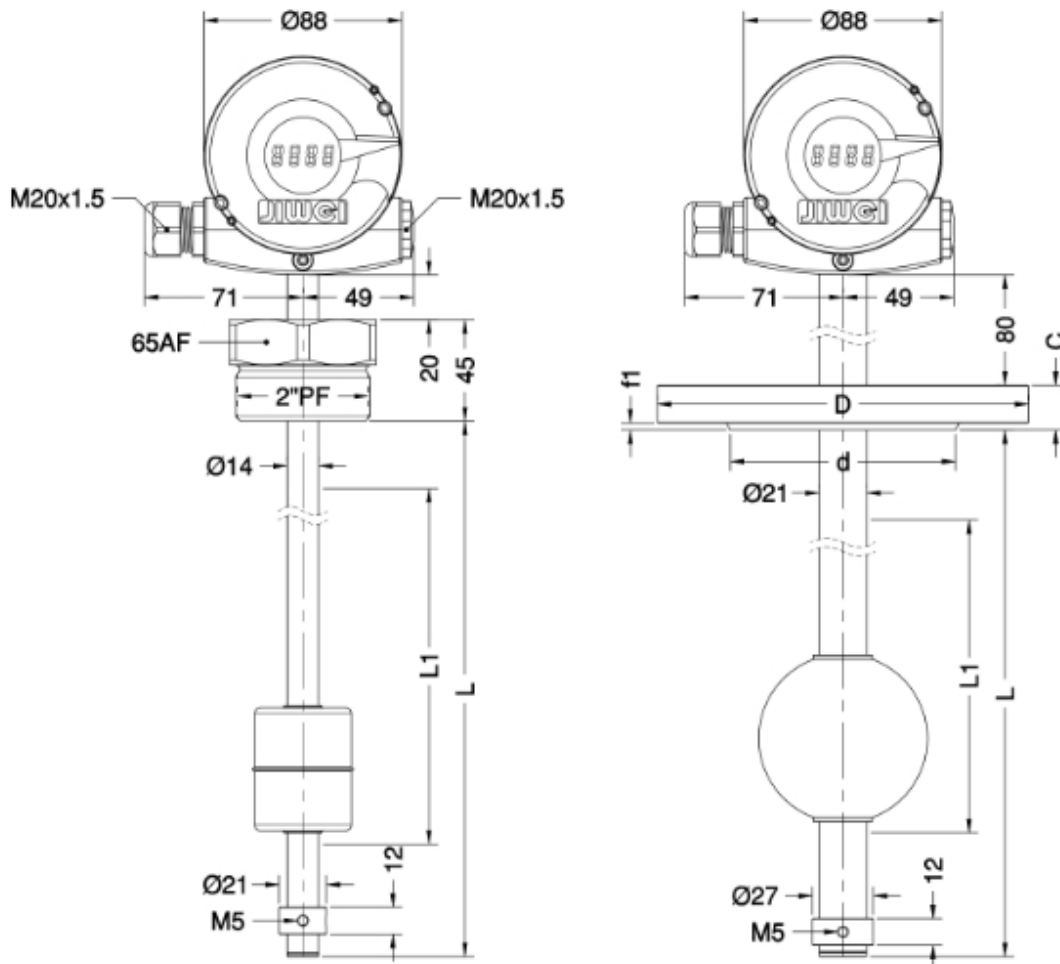
- Level measurement in storage tanks for petroleum and chemical raw materials.
- Level measurement for industrial wastewater.
- Level measurement and control for process storage tanks in food processing industry.

Technical data

Measured medium	Liquid
Measuring range	300~6000mm
Medium Density	$\geq 0.5\text{g/cm}^3$
Process pressure	$\leq 25\text{bar}$
Process temperature	$-20^{\circ}\text{C} \sim +120^{\circ}\text{C}$
Ambient temperature	$-40 \sim 70^{\circ}\text{C}$
Process fitting	Flange
	Thread

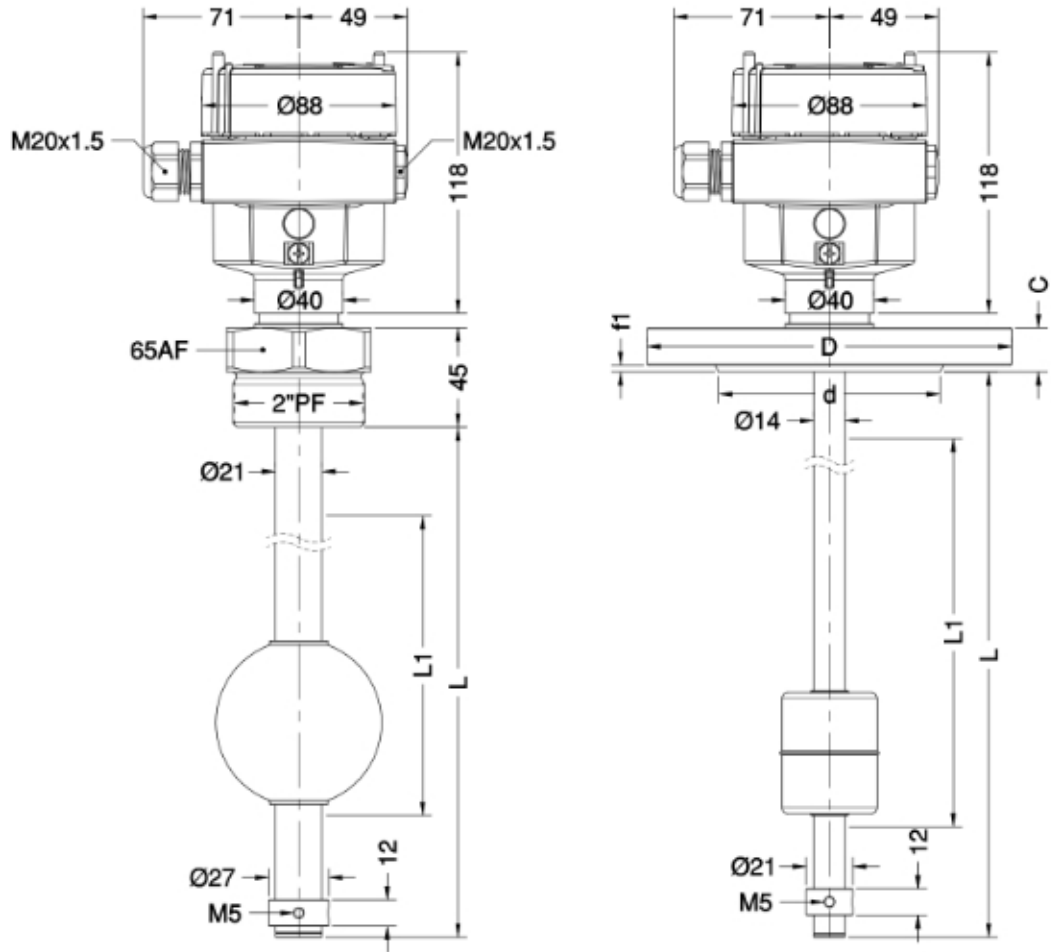
Accuracy	±5mm/±10mm
Guide tube	φ 21 x 2mm
	φ 14 x 1mm
External housing	Aluminum alloy
Material for Float/Guide tube /Process fitting	304, or 316L upon selection
Ingress protection rating	IP66/IP67
Signal output	4~20mA
Power supply	18~36V DC
Approval	Flameproof Enclosure: Ex d II C T6
	Intrinsic Safety: Ex ia II C T6

Dimensional drawings



Horizontal display

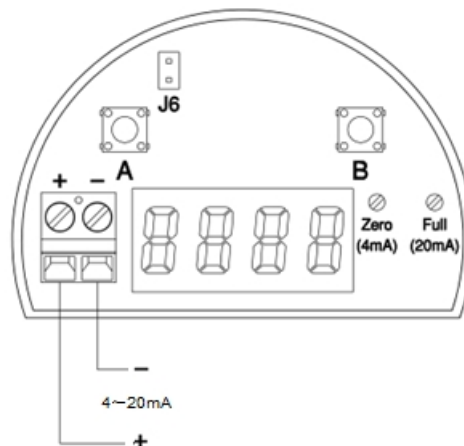
Note: L is total length of the guide tube. L1 is measurement range.



Upright display

Note: L is total length of the guide tube. L1 is measurement range.

Wiring plan



Order information

Float-11		A							
Material (for Guide tube/Float/Process fitting)	F	304							
	S	316L							
Accuracy	F	±5mm							
	T	±10mm							
Process fitting	TN	2" PT							
	FA	Flange DN50 PN40							
	FB	Flange DN80 PN40							
	FC	Flange DN50 PN16							
	FD	Flange DN80 PN16							
	XX	Customized design							
Display	N	None							
	T	Upright							
	H	Horizontal							
Cable entry	M	M20 x 1.5							
	N	1/2"NPT							
Approvals	N	None explosion hazards							
	I	Intrinsic Safety (Ex ia IIC T6)							
	D	Flameproof Enclosure (Ex d IIC T6)							
Measurement range	L	Total length of the guide tube in mm. e.g. Total length 1000mm, expressed as L-1000							